

K Series

FABRICATED IN-LINE BASKET STRAINERS

Many Customizable Features
Available in Carbon or Stainless Steel

INTRODUCTION

The K series fabricated, in-line, basket strainers effectively remove dirt, pipe scale, and other contaminants from process liquids such as water, chemical and petroleum products.

Standard housing material is either 316 stainless steel or carbon steel. Housings come equipped with a standard 1/8" perforated stainless steel basket.

These strainer housings have many customizable features such as material of construction, closure style, pressure rating, connection style and size, and support legs. Custom perforation sizes or mesh lined baskets are also available.

STANDARD FEATURES

- Available in carbon steel or 316 stainless steel
- 150 psi working pressure rating (Higher pressure ratings available)
- Low pressure drop
- Flange top closure
- High temperature flat seal
- Drain and vent ports
- 316 stainless steel strainer basket included

OPTIONAL FEATURES

- Mesh lined strainer baskets
- 300 psi and higher pressure ratings
- ASME code
- Quick opening swing bolt closure
- Buna lid seal
- Support legs
- Davit arm
- Optional alloys and connection types also available
- Oversized baskets available for extended run times
- Backwashable option available

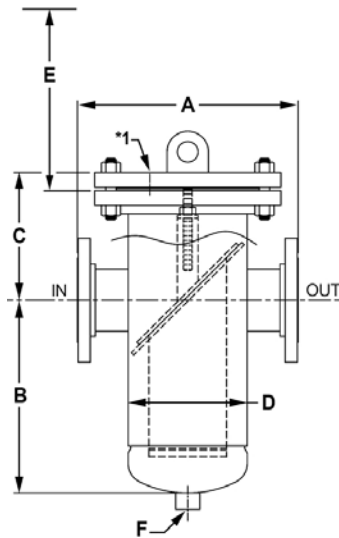


STANDARD CONSTRUCTION

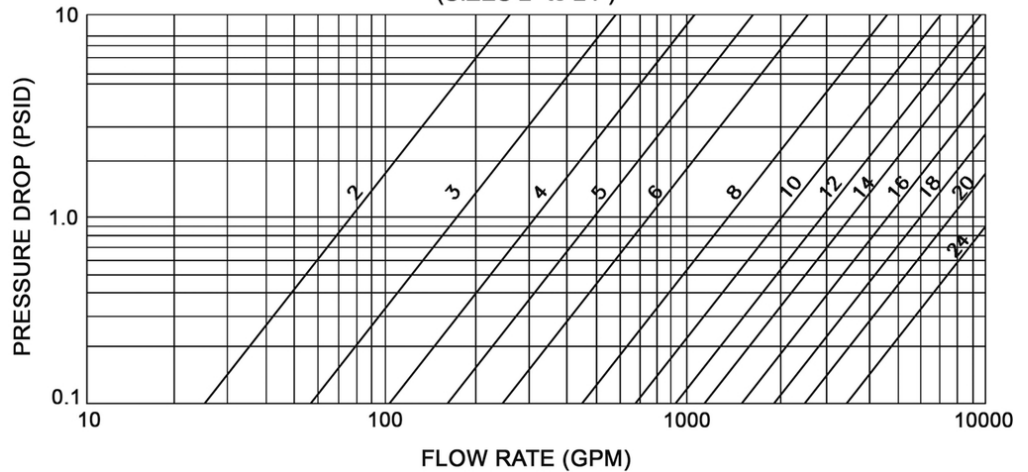
The K series fabricated in-line basket strainer housings can be built to your custom specifications. The standard housing design provides a large sump area at the bottom of the basket for particulate accumulation. This design utilizes the filter more efficiently. The 316 stainless steel strainer basket rests on a steel support ring. Optional mesh lining for strainer baskets and various materials for o-rings are available. A vent located in the housing lid and a drain port on the bottom of the housing allow fast evacuation and rapid filling.

The standard vent size is 1/4 inch. Housings that are permanently piped can be opened with simple tools without disturbing the piping. The optional swing bolts or through bolts allow easy opening and closing of the swing-lid, so there is no need to remove any hardware. As a standard finish, all vessels are blast cleaned and the outside painted with machinery enamel. Optional alloys and connection types are also available. Our in-house design team can customize housing configurations to meet your specifications.

DIMENSIONAL INFORMATION



FABRICATED BASKET STRAINER PRESSURE DROP - LIQUIDS
(SIZES 2" to 24")



Standard Strainer Inlet & Outlet Sizes										
Reference	2 inches	3 inches	4 inches	6 inches	8 inches	10 inches	12 inches	14 inches	16 inches	18 inches
A	14	15	16	20	22	32	35	37	42	42
B	12	12½	14	17	21	25	28	33	36	39
C	7	8	8¼	10⅙	11	13	14½	15¾	18¼	18¼
D	6⅝	6⅝	8⅝	10¼	12¼	16	18	20	24	24
E	19	19	20	25	30	35	41	42	48	52
F	½	½	1	1	1½	1½	1½	2	2	2

Dimensions in inches except where noted. Due to our continuing program of product improvement, specifications are for reference only and subject to change without notice. Dimensions are approximate values and not intended for piping specifications. **Note:** *1 = 1/4 inch FNPT vent.

TYPICAL MODEL NUMBER

K	2	N	S6	D	U	30	E	
Jonell Systems Basket Strainer Series	Inlet/Outlet Diameter	Inlet/Outlet Style	Body Material	Closure Style	ASME Code	Pressure Rating	Closure Seal Material	Options



KNW Series ANSI 150 Class

SIMPLEX CAST BASKET STRAINER

Carbon Steel, Flanged

Available Sizes: 2", 3", 4" and 6"

INTRODUCTION

The KNW series, simplex basket strainers in cast carbon steel, are in-line T-strainer housings and are commonly installed into pipeline systems to remove debris from the pipeline flow. These basket strainers are used where debris loading is high and the collection of solids is required. Straining is achieved by using a perforated or mesh lined wedge-cut straining basket, inside the strainer housing. It is important to note that the proper size of a basket strainer is determined by its job function, not by the size of the pipeline.

These ANSI class 150 strainers are available with flanged (RF) end connections, with inlet & outlet sizes available from 2 to 6 inches. Housings come equipped with a standard 1/4" perforated 304 stainless steel, wedge-cut designed strainer basket, 3/4" NPT vent and fluid drain. Drain size is determined by housing I/O size.

The KNW series, simplex basket strainer, with its large body and sizeable basket, can store large amounts of debris which increases the time between servicing. Housings have a machined seat with o-ring that allows fine filtration, down to 40 microns, by preventing debris bypass.

Typical applications include: petroleum, oil and gas, water and wastewater, pulp and paper, chemical and petrochemical, transportation, marine, and food industries.

FEATURES

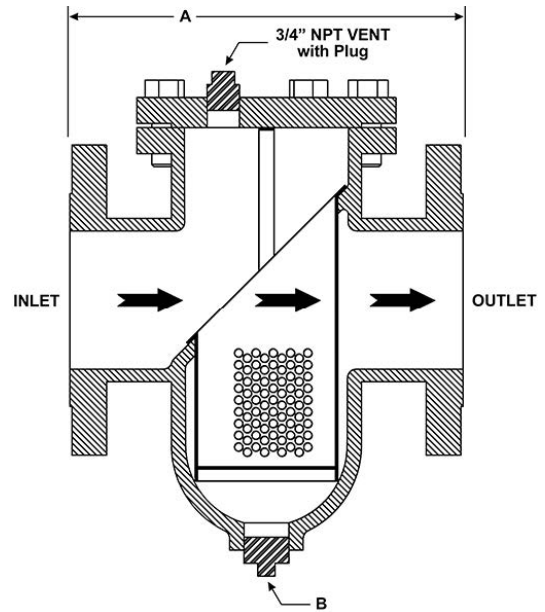
- Cast carbon steel construction
- ANSI class 150 Rating with flanged connections
- 304 non-asbestos flat closure gasket as standard (Other materials available)
- Wedge-cut style basket (except on 2" model)
- 304 SS, quality basket for tighter seal and longer life
- Bolted flange closure standard
- 3/4 inch NPT vent with plug
- NPT Blow-off/fluid drain (Strainer inlet & outlet size determines drain size)
- 304 SS perforated basket included as standard
- Variety of basket material, perforation and mesh sizes are available



DIMENSIONAL INFORMATION

Dimensional Data	2"	3"	4"	6"
A Face to Face	8.5"	8.75"	11.2"	14"
B NPT Drain with Plug	1/2"	3/4"	1"	1 1/4"
NPT Vent with Plug	3/4"	3/4"	3/4"	3/4"
Assembled Weight approx. (lbs)	28	45	85	128

Dimensions in inches except where noted. Due to our continuing program of product improvement, specifications are for reference only and subject to change without notice. Dimensions are approximate values and not intended for piping specifications. Additional clearance needed for basket removal.



ADDITIONAL INFORMATION

The KNW series cast basket strainer housings with a 2 or 3 inch inlet and outlet have square head closures. Models with 4 or 6 inch inlet and outlet have a round head closure.

All models are clearly marked with the inlet and outlet size in the casting of the housing. Please contact us for further information.

TYPICAL MODEL NUMBER

KN	W	C	15	F	6	F	B
Jonell Systems Basket Strainer Series	Cast Type	Body Material	ANSI Class	Connection Type	Connection Size	Seal Material	Closure Type
KN= Strainer Series	W = Simplex Style with Wedge Cut Basket	C= Carbon Steel	15 = 150#	F = Flanged	2 = 2" 3 = 3" 4 = 4" 6 = 6"	F = Flat Gasket	B = Bolted Flange



KNW Series ANSI 150 Class

SPECIAL OEM - SIMPLEX CAST BASKET STRAINER

Carbon Steel, Flanged

Available Sizes: 2", 3", 4" and 6"

INTRODUCTION

The KNW series, simplex basket strainers in cast carbon steel, are in-line T-strainer housings and are commonly installed into pipeline systems to remove debris from the pipeline flow. These basket strainers are used where debris loading is high and the collection of solids is required. Straining is achieved by using a perforated or mesh lined wedge-cut straining basket, inside the strainer housing. It is important to note that the proper size of a basket strainer is determined by its job function, not by the size of the pipeline.

These ANSI class 150 strainers are available with flanged (RF) end connections, with inlet & outlet sizes available from 2 to 6 inches. Housings come equipped with a standard 1/4" perforated 304 stainless steel, wedge-cut designed strainer basket, 3/4" NPT vent and fluid drain. Drain size is determined by housing I/O size.

The KNW series, simplex basket strainer, with its large body and sizeable basket, can store large amounts of debris which increases the time between servicing. Housings have a machined seat with o-ring that allows fine filtration, down to 40 microns, by preventing debris bypass.

Typical applications include: petroleum, oil and gas, water and wastewater, pulp and paper, chemical and petrochemical, transportation, marine, and food industries.

FEATURES

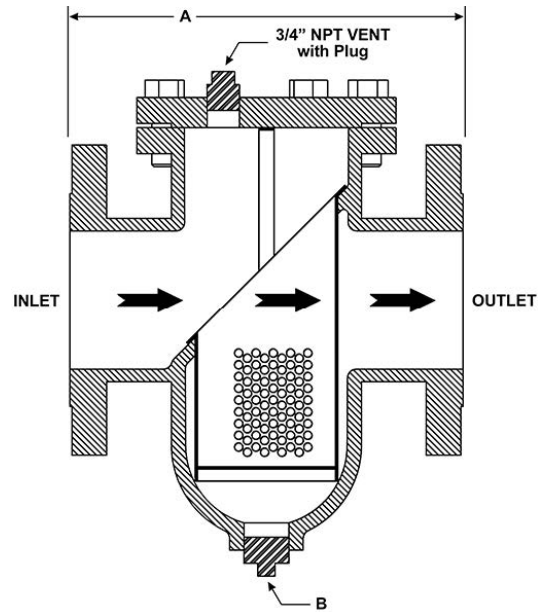
- Cast carbon steel construction
- ANSI class 150 Rating with flanged connections
- 304 non-asbestos flat closure gasket as standard (Other materials available)
- Wedge-cut style basket (except on 2" model)
- 304 SS, quality basket for tighter seal and longer life
- Bolted flange closure standard
- 3/4 inch NPT vent with plug
- NPT Blow-off/fluid drain (Strainer inlet & outlet size determines drain size)
- 304 SS perforated basket included as standard
- Variety of basket material, perforation and mesh sizes are available



DIMENSIONAL INFORMATION

Dimensional Data	2"	3"	4"	6"
A Face to Face	8.5"	8.75"	11.2"	14"
B NPT Drain with Plug	1/2"	3/4"	1"	1 1/4"
NPT Vent with Plug	3/4"	3/4"	3/4"	3/4"
Assembled Weight approx. (lbs)	28	45	85	128

Dimensions in inches except where noted. Due to our continuing program of product improvement, specifications are for reference only and subject to change without notice. Dimensions are approximate values and not intended for piping specifications. Additional clearance needed for basket removal.



ADDITIONAL INFORMATION

The KNW series cast basket strainer housings with a 2 or 3 inch inlet and outlet have square head closures. Models with 4 or 6 inch inlet and outlet have a round head closure.

All models are clearly marked with the inlet and outlet size in the casting of the housing. Please contact us for further information.

TYPICAL MODEL NUMBER

KN	W	C	15	F	6	F	B
Jonell Systems Basket Strainer Series	Cast Type	Body Material	ANSI Class	Connection Type	Connection Size	Seal Material	Closure Type
KN= Strainer Series	W = Simplex Style with Wedge Cut Basket	C= Carbon Steel	15 = 150#	F = Flanged	2 = 2" 3 = 3" 4 = 4" 6 = 6"	F = Flat Gasket	B = Bolted Flange



KS Series ANSI 125 Class

SIMPLEX CAST IRON STRAINER HOUSINGS

Flanged or NPT Threaded Connections
Sizes 1" to 8" Flanged, 3/8" to 3" NPT

INTRODUCTION

The KS series, ANSI 125 class, Simplex basket strainers in cast iron, are in-line T strainer housings and are commonly installed into pipeline systems where debris loading is high and the collection of solids is required. Straining is achieved by using a perforated or mesh lined straining basket, inside the strainer housing. It is important to note that the proper size of a basket strainer is determined by its job function, not by the size of the pipeline.

These ANSI class 125 cast iron strainers are available with either NPT threaded connections from 3/8" to 3" or flanged (flat-faced) end connections with inlet & outlet sizes available from 1" to 8".

Both models are epoxy painted and have, as standard, plugged bottom drain connections. Housings come equipped with a high straining capacity, perforated 304 stainless steel basket.

Typical applications include: petroleum, oil and gas, water and wastewater, pulp and paper, transportation, chemical and petrochemical industries.

FEATURES

- ASTM A126 Grade B cast iron body and cover
- Quick opening cover (knob type, as shown) is standard and a full ANSI rated bolted cover is also available
- Threaded end connection sizes: 3/8" to 3" or flanged sizes: 1" to 8"
- Both cover and basket seat o-rings are Buna-N, (other materials available)
- 304 stainless perforated basket included as standard
- Variety of basket material, perforation and mesh sizes
- Bottom drain / blow-off connection and safety vent in cover are furnished with steel plug, as standard
- Carbon steel and stainless steel units are also available

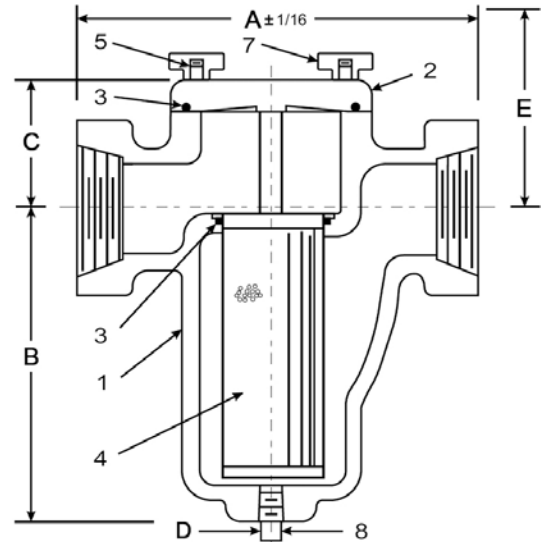


DIMENSIONAL INFORMATION

Bill of Materials ANSI 125 Cast Iron Strainers

No.	Part	Material
1	Body	ASTM A126 Gr. B cast iron
2	Cap/Cover	ASTM A126 Gr. B cast iron
3	O-ring/Gasket	Buna-N
4	Basket Strainer	304 Stainless steel
5	Studs	Alloy steel
6	Nuts (not shown)	Carbon steel
7	Knobs	Ductile steel
8	Bottom drain plug	Carbon steel

Bill of Materials represents standard materials. Equivalent or better materials may be substituted at the manufacturer's discretion. Nuts (Part No. 6) only applies to non-standard bolted covers which are not shown.



Dimensional Data	3/8	1/2	3/4	1	1 1/2	2	2 1/2	3	4	6	8
A Face to Face - Threaded	4.562	4.562	4.562	5.312	6.312	8.25	9.625	11.25	n/a	n/a	n/a
A Face to Face - Flanged	n/a	n/a	n/a	5.687	7.0	9.0	10.44	11.75	15	20.25	27.375
B Center Line to Bottom - Threaded	4.0	4.0	4.0	4.687	6.50	7.875	8.75	11.375	n/a	n/a	n/a
B Center Line to Bottom - Flanged	n/a	n/a	n/a	4.687	6.50	8.0	8.75	11.50	13.75	20	24.24
C Center Line to Top - Threaded	2.50	2.50	2.50	2.75	3.0	3.625	4.0	4.50	n/a	n/a	n/a
C Center Line to Top - Flanged	n/a	n/a	n/a	3.0	3.0	3.75	4.0	4.75	6.18	7.88	10.55
D NPT Plug/Blow-Off (Both)	3/8	3/8	3/8	3/8	1/2	3/4	1.0	1.0	2.0	2.0	2.0
E Clearance Needed for Basket Removal (Both)	4.82	4.82	4.82	5.88	8.2	10.2	11.88	14.82	19.88	29.2	37.2
Assembled Weight Threaded Approx. (lbs.)	5.5	5.5	5.5	8.0	14	27	36	55.5	n/a	n/a	n/a
Assembled Weight Flanged Approx. (lbs.)	n/a	n/a	n/a	11.5	21	34	48.5	64	118	266	215
Flow Coefficient (Cv)	14	14	14	24	43	70	90	140	290	780	1600

Dimensions in inches except where noted. Due to our continuing program of product improvement, specifications are for reference only and subject to change without notice. Dimensions are approximate values and not intended for piping specifications. Illustration refers to quick open cover with flanges ends only. Optional bolted cover and NPT end connections not shown. Certified drawings available upon request.

ADDITIONAL INFORMATION

Working Pressures & Temperatures (non-shock)		Standard Screen Selections				
KS Series ANSI Class 125	Cast Iron (ASTM A126 Gr. B)	Inlet/Outlet Sizes	Liquid Service	Open Area	Steam	Open Area
W.O.G. (Water, Oil, Gas)	200 psi at 100 °F	3/8" to 2"	1/16 (0.0625)	41%	1/32 (0.033)	28%
Saturated Steam	Not recommended	2 1/2" to 4"	1/16 (0.0625)	41%	3/64 (0.045)	36%
Maximum Liquid	Not recommended	5" to 8"	1/8 (0.125)	40%	3/64 (0.045)	36%

TYPICAL MODEL NUMBER

K	S	I	12	N	3	F	B
Jonell Systems Basket Strainer Series	Cast Type	Body Material	Pressure Rating	Connection Type	Connection Size	Seal Material	Closure Type
K = Strainer Series	S = Simplex style strainer	I = Cast Iron	12 = 125 psi	N = NPT threaded	F = 3/8" G = 1/2" H = 3/4" I = 1" K = 1 1/2" 2 = 2" L = 2 1/2" 3 = 3" 4 = 4" 6 = 6" 8 = 8"	F = Flat Gasket N = Buna-N (standard) V = Viton	B = Bolted Flange Q = Quick opening



KS Series ANSI 150/300 Class

SIMPLEX CAST BASKET STRAINERS

Sizes 1" to 8" Flanged, 3/8" to 3" NPT

INTRODUCTION

The KS series, simplex basket strainers in cast 316 stainless steel or carbon steel, are in-line T-strainer housings and are commonly installed into pipeline systems to remove debris from the pipeline flow. Basket strainers are commonly used in pipelines where debris loading is high and the collection of solids is required. Straining is achieved by using a perforated or mesh lined straining basket, inside the strainer housing. It is important to note that the proper size of a basket strainer is determined by its job function, not by the size of the pipeline.

These ANSI class 150 or 300 strainers are available with NPT threaded or flanged (RF) end connections, with inlet & outlet sizes available from 3/8 to 8 inches. NPT connections can also be rated for ANSI 300 class service. Housings come equipped with a standard 1/16" perforated 304 stainless steel basket and 1/4" NPT vent. The KS series, simplex basket strainer, with its large body and sizeable basket, can store large amounts of debris which increases the time between servicing. Housings have a machined seat with o-ring that allows fine filtration, down to 40 microns, by preventing debris bypass.

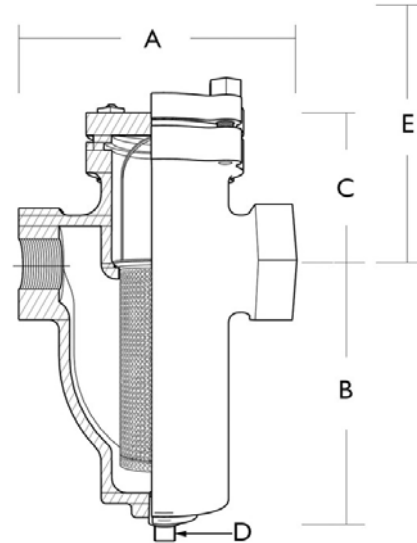
Typical applications include: petroleum, oil and gas, water and wastewater, pulp and paper, chemical and petrochemical, transportation, marine, and food industries.

FEATURES

- Cast carbon steel or 316 stainless steel construction
- ANSI class 300 rating with NPT connections
- ANSI class 150 Rating with NPT or flanged connections
- 304 non-asbestos flat closure gasket as standard (Other materials available)
- Viton or Buna basket seat o-ring
- Bolted flange closure standard
- 1/4 inch NPT vent with plug
- 304 SS perforated basket included as standard
- Variety of basket material, perforation and mesh sizes



DIMENSIONAL INFORMATION



Standard Screen Selections				
Inlet/Outlet Sizes	Liquid Service	Open Area	Steam	Open Area
3/8" to 2"	1/16 (0.0625)	41%	1/32 (0.033)	28%
2 1/2" to 8"	1/16 (0.0625)	41%	3/64 (0.045)	36%

Dimensional Data	3/8	1/2	3/4	1	1 1/4	1 1/2	2	2 1/2	3	4	6	8
A Face to Face (+/- 1/16") Threaded	4.6	4.6	4.6	5.3	6.3	6.3	8.3	11.3	11.3	n/a	n/a	n/a
A Face to Face (+/- 1/16") Flanged	n/a	n/a	n/a	5.7	n/a	7.0	9.0	10.4	11.8	15	20.3	27.4
B Center Line to Bottom - Threaded	4.0	4.0	4.0	4.7	6.5	6.5	7.9	8.8	11.4	n/a	n/a	n/a
B Center Line to Bottom - Flanged	n/a	n/a	n/a	4.7	n/a	6.5	8.0	8.8	11.5	13.8	20	24.3
C Center Line to Top - Threaded	2.5	2.5	2.5	2.75	3.0	3.0	3.7	4.0	4.5	n/a	n/a	n/a
C Center Line to Top - Flanged	n/a	n/a	n/a	3.0	n/a	3.0	3.8	4.0	4.8	6.2	7.9	10.5
D NPT Blow-Off (Both)	3/8	3/8	3/8	3/8	1/2	1/2	3/4	1.0	1.0	2.0	2.0	2.0
E Clearance Needed for Basket Removal	5.0	5.0	5.0	5.9	8.13	8.2	10.2	11.9	14.8	20	29.2	37.2
Assembled Weight Threaded Approx. (lbs.)	6.0	6.0	6.0	8.0	16	16	25.5	49	51	n/a	n/a	n/a
Assembled Weight Flanged Approx. (lbs.)	n/a	n/a	n/a	11	n/a	19.5	31.5	44.5	65.5	118	266	518
Flow Coefficient (Cv)	14	14	14	24	43	43	70	90	140	290	780	1600

Dimensions in inches except where noted. Due to our continuing program of product improvement, specifications are for reference only and subject to change without notice. Dimensions are approximate values and not intended for piping specifications. Illustration shows threaded end connection unit only. Table contains dimensions for both threaded and flanged type units. Threaded (NPT) End Sizes: 3/8" to 3". Raised Face Flanged End Sizes: 1" to 8".

ADDITIONAL INFORMATION

ANSI Class 150 Strainers Working Pressures & Temperatures (non-shock)		
ANSI Class 150	KS Series Carbon Steel (A216 Gr WCB)	KS Series 316 Stainless Steel (A351 Gr CF8M)
W.O.G. (Water, Oil, Gas)	285 psi at 100 °F	275 psi at 100 °F
Saturated Steam	150 psi at 366 °F	150 psi at 366 °F
Maximum Liquid	80 psi at 800 °F	20 psi at 1000 °F

ANSI Class 300 Strainers Working Pressures & Temperatures (non-shock)		
ANSI Class 300	KS Series Carbon Steel (A216 Gr WCB)	KS Series 316 Stainless Steel (A351 Gr CF8M)
W.O.G. (Water, Oil, Gas)	740 psi at 100 °F	720 psi at 100 °F
Saturated Steam	300 psi at 420 °F	300 psi at 420 °F
Maximum Liquid	400 psi at 800 °F	350 psi at 1000 °F

TYPICAL MODEL NUMBER

K	S	S	15	F	2	F	B
Jonell Systems Basket Strainer Series	Cast Type	Body Material	Pressure Rating	Connection Type	Connection Size	Seal Material	Closure Type
K = Strainer Series	S = Simplex style strainer	S = Stainless Steel C = Carbon Steel	15 = 150 psi 30 = 300 psi	N = NPT threaded F = Flanged	F = 3/8" L = 2 1/2" G = 1/2" 3 = 3" H = 3/4" 4 = 4" 1 = 1" 6 = 6" K = 1 1/2" 8 = 8" 2 = 2"	F = Flat Gasket N = Buna-N (standard) V = Viton	B = Bolted Flange



KW Series ANSI 125 Class

SIMPLEX CAST STRAINER HOUSINGS

Cast Iron Body, Bolted or Clamped Cover
Connection Sizes 2 to 12 inches, FF Flanged Ends

INTRODUCTION

The KW series, simplex basket strainers in cast iron, are in-line T strainer housings and are commonly installed into pipeline systems to remove debris from the pipeline flow.

These ANSI 125 class strainers have flat faced, flanged inlet and outlet connections, and are available with a clamped style closure or a bolted closure. Housing inlet / outlet sizes range from 2 to 12 inches. Housings are equipped with a standard 1/16" perforated 304 stainless steel basket and plugged bottom drain connection. Larger sizes (8 inch to 12 inch) also feature removable / adjustable leg brackets.

The KW series, simplex basket strainer, with its large body and sizeable wedge style basket, can store large amounts of debris which reduces the amount of change-outs that are necessary. It also features a machined seat with o-ring that enables filtration down to 40 microns.

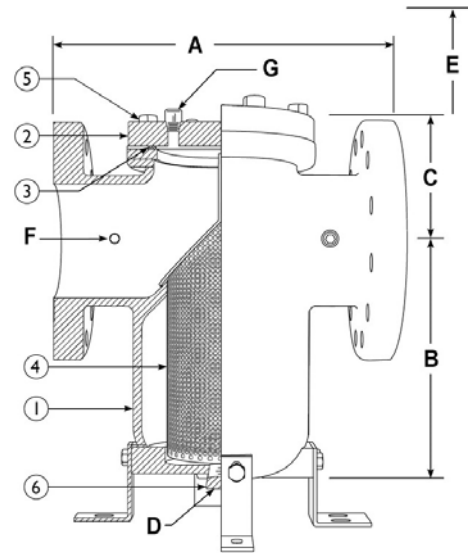
Typical applications include: petroleum, oil and gas, water and wastewater, pulp and paper, chemical and petrochemical, transportation and marine industries.

FEATURES

- Cast iron body, cover and bottom drain plug
- ANSI class 125 rating with FF flanged connections
- Bolted closure or clamp style closure (photo shows clamp style closure)
- 304 non-asbestos flat gasket standard for bolted cover, Buna-N o-ring standard for clamped cover design
- 1/4 inch NPT cover vent and inlet/outlet gauge taps with plug (on sizes 8" to 12")
- Removable/adjustable leg brackets (on sizes 8" to 12")
- 304 SS perforated basket included as standard
- Variety of basket material, perforations and mesh sizes



DIMENSIONAL INFORMATION



Bill of Materials KW Series ANSI 125 Class

No.	Part	Bolted Cover Housing	Clamped Cover Housing
1	Body	Cast iron ASTM A126 Gr. B	Cast iron ASTM A126 Gr. B
2	Cover	Cast iron ASTM A126 Gr. B	Cast iron ASTM A126 Gr. B
3	Cover Gasket	Non-asbestos flat gasket	Buna-N
4	Basket Strainer	304 Stainless steel (other materials available)	304 Stainless steel (other materials available)
5	Cap screws	Carbon steel	Carbon steel
6	Plugs (boss/drain)	Cast iron	Cast iron

Dimensional Data	2	2 1/2	3	4	6	8	10	12
A Face to Face (+/- 0.12")	8.625	7.562	8.75	11.25	14	17.125	22	25.25
B Center Line to Bottom	5.875	5.438	5.25	7.875	8.0	11	16	23.75
C Center Line to Top	4.375	3.75	5.125	5.375	7.0	8	9.25	11.625
D NPT Blow-Off Drain	0.5	0.75	0.75	1.0	1.25	1.50	1.50	2.0
E Clearance Needed for Screen Removal	10.88	10.88	11.25	15.5	18.25	23.38	29	37.5
F NPT Gauge Taps	n/a	n/a	n/a	n/a	n/a	0.25	0.25	0.25
G NPT Cover Vent	n/a	n/a	n/a	n/a	n/a	0.25	0.25	0.25
Assembled Weight Bolted cover approx. (lbs.)	27	30	40	64	142	244	416	732
Assembled Weight Clamped Approx. (lbs.)	28.4	31.5	42	62	142	256.2	436.8	732
Flow Coefficient (Cv)	43	86	135	290	780	1600	3250	5200

Notes:

- Bill of materials represents standard materials. Optional materials may be available for some parts.
- Dimension B: Centerline to bottom drain boss, does not include plug or support legs. Removable/adjustable legs can extend the length approx. 3 to 5 inches beyond bottom boss drain.
- Dimension F: Gauge taps are standard on sizes 8 to 12 inches only.
- Dimension G: Plugged 1/4" cover vent is standard on sizes 8 to 12 inches only.

Dimensions in inches except where noted. Due to our continuing program of product improvement, specifications are for reference only and subject to change without notice. Dimensions are approximate values and not intended for piping specifications. Connection sizes from 2 to 12 inches, FF flanged ends.

ADDITIONAL INFORMATION

Working Pressures & Temperatures (non-shock)		
KW Series ANSI Class 125	KW Series Bolted Cover (A126 Gr. B cast iron)	KW Series Clamped Cover (A126 Gr. B cast iron)
W.O.G. (Water, Oil, Gas)	200 psi at 150 °F	200 psi at 100 °F
Saturated Steam	125 psi at 353 °F	Not recommended
Maximum Liquid	125 psi at 450 °F	Not recommended

Standard Screen Selections				
Inlet/Outlet Sizes	Liquid Service	Open Area	Steam	Open Area
2" to 4"	1/16 (0.0625)	41%	3/64 (0.045)	36%
5" to 12"	1/16 (0.0625)	40%	3/64 (0.045)	36%

TYPICAL MODEL NUMBER

K	W	I	12	F	12	F	B	
Jonell Systems Basket Strainer Series	Cast Type	Body Material	Pressure Rating	Connection Type	Connection Size	Seal Material	Closure Type	
K = Strainer Series	S = Simplex wedge style basket	I = Cast Iron	12 = 125 psi	F = Flanged	2 = 2" L = 2½" 3 = 3" 4 = 4"	6 = 6" 8 = 8" 10 = 10" 12 = 12"	F = Flat Gasket (standard for bolted cover) N = Buna-N (standard for clamped cover)	B = Bolted Flange C = Clamped style



KW Series ANSI 150 Class

SIMPLEX CAST STRAINER HOUSINGS

RF Flanged Ends

Connection sizes 2 to 12 inches

INTRODUCTION

The KW series, ANSI 150 class, simplex cast basket strainers are available in 316 stainless steel or carbon steel. These in-line strainer housings have a wedge cut designed strainer basket. Baskets are 1/16" perforated 304 stainless steel as standard, with other options available.

These ANSI 150 class strainers have flanged (RF) end connections, with inlet / outlet connection sizes available from 2 to 12 inches.

The KW series, simplex cast basket strainer, with its large body and sizeable basket, can store large amounts of debris which increases the time between servicing. It also features a machined seat with o-ring that enables filtration, down to 40 microns.

Typical applications include: petroleum, oil and gas, water and wastewater, pulp and paper, chemical and petrochemical, transportation, marine, and food industries.

These KW series ANSI 150 strainers are ideal for many industrial and petrochemical filter applications that have higher pressure and temperature requirements.

FEATURES

- Cast carbon steel or 316 stainless steel bodies
- ANSI 150 class rated RF flanges
- 304 SS or Buna-N flat gasket (other materials available)
- Bolted flange closure is standard (Quick opening clamp closure also available)
- 304 SS perforated basket included as standard. (optional materials of construction, basket perforation and mesh sizes are available)
- Plugged cover vent 1/4" NPT provided on all sizes
- Plugged 1/4" NPT gauge taps (inlet and outlet) on sizes 6" and larger
- Cast support legs are provided on sizes 6" and larger
- Designed for horizontal pipelines only
- Stainless steel temperatures to 1000 °F for food, chemical and pharmaceutical industries.*
- Carbon steel temperatures to 800 °F especially suitable for oil and petrochemical industries.*

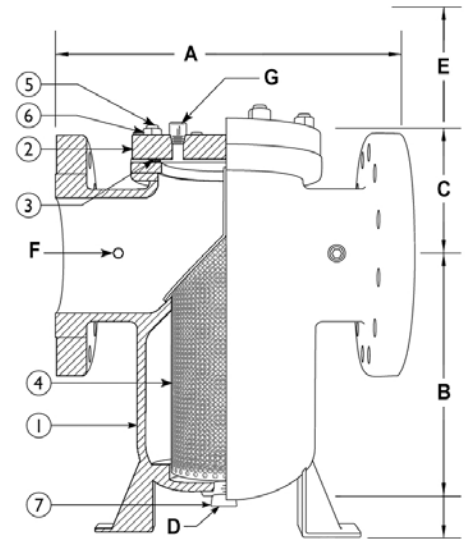
(* When used with correct cover gasket material.)



DIMENSIONAL INFORMATION

Bill of Materials KW Series ANSI 150 Class

No.	Part	Carbon Steel Housing	Stainless Steel Housing
1	Body	Carbon steel A216 Gr. WCB	Stainless steel A351 Gr. CF8M
2	Cover	Carbon steel A216 Gr. WCB	Stainless steel A351 Gr. CF8M
3	Cover Gasket	Bolted cover: Stainless flat gasket Clamp cover: Buna-N o-ring	Bolted cover: Stainless flat gasket Clamp cover: Buna-N o-ring
4	Basket Strainer	304 Stainless steel (other materials available)	304 Stainless steel (other materials available)
5	Studs	Alloy steel A193-B7	Stainless steel 18-8 series 300
6	Nuts	Carbon steel A194-2H	Stainless steel 18-8 series 300
7	Blow-off plug NPT	Carbon Steel	Stainless Steel



Dimensional Data	2	2 1/2	3	4	6	8	10	12
A Face to Face (+/- 0.12")	8.5	8.0	8.75	11.187	13.875	17.375	22	26.25
B Center Line to Bottom	5.875	5.437	5.25	7.875	13.125	16.375	19.375	23.75
C Center Line to Top	5.0	4.75	5.5	6.125	6.75	8.875	10.75	13.75
D NPT Blow-Off Drain	0.5	0.75	0.75	1.0	1.25	1.50	1.50	2.0
E Clearance Needed for Screen Removal	10.88	10.2	10.75	14	19.88	25.25	30.2	37.5
F NPT Gauge Taps	0.25	0.25	0.25	0.25	0.25	0.25	0.25	0.25
G NPT Cover Vent	0.25	0.25	0.25	0.25	0.25	0.25	0.25	0.25
Assembled Weight approx. (lbs.)	27	33	38	64	128	227	362	487
Flow Coefficient (Cv)	43	86	135	290	780	1600	3250	5200

Notes:

- Bill of materials represents standard materials. Optional materials may be available for most parts.
- Dimension B - Centerline to bottom: 2" to 5" is to bottom of boss drain. 6" to 12" is to bottom of support leg.
- Dimension G: Plugged 1/4" cover vent is provided on all sizes.

Dimensions in inches except where noted. Due to our continuing program of product improvement, specifications are for reference only and subject to change without notice. Dimensions are approximate values and not intended for piping specifications. When required, please request a certified drawing. Connection sizes from 2 to 12 inches, RF flanged ends.

ADDITIONAL INFORMATION

KW Series ANSI Class 150	Working Pressures & Temperatures (non-shock)	
	KW Series Carbon Steel (A216 Gr. WCB)	KW Series Stainless Steel (A351 Gr. CF8M)
W.O.G. (Water, Oil, Gas)	285 psi at 100 °F	275 psi at 100 °F
Saturated Steam	150 psi at 366 °F	150 psi at 366 °F
Maximum Liquid	80 psi at 800 °F	20 psi at 1000 °F

Inlet/Outlet Sizes	Standard Screen Selections			
	Liquid Service	Open Area	Steam	Open Area
2" to 4"	1/16 (0.0625)	41%	3/64 (0.045)	36%
5" to 12"	1/16 (0.0625)	40%	30 mesh	44.8%

TYPICAL MODEL NUMBER

K	W	S	15	F	12	F	B
Jonell Systems Basket Strainer Series	Cast Type	Body Material	Pressure Rating	Connection Type	Connection Size	Seal Material	Closure Type
K = Strainer Series	W = Simplex wedge style basket	S = 316 Stainless steel C = Carbon Steel	15 = 150 psi	F = Flanged raised face	2 = 2" L = 2 1/2" 3 = 3" 4 = 4" 6 = 6" 8 = 8" 10 = 10" 12 = 12"	F = Flat Gasket (standard for bolted cover) N = Buna-N (standard for clamped cover) V = Viton	B = Bolted Flange C = Clamped style



KW Series ANSI 300 Class

SIMPLEX CAST STRAINER HOUSINGS

RF Flanged ends

Connection sizes 2 to 12 inches

INTRODUCTION

The KW series, cast stainless steel or carbon steel, ANSI 300 class simplex strainer housings effectively remove dirt, pipe scale, and other contaminants from process liquids such as water, chemical and petroleum products in many industrial filtration applications.

These ANSI class 300 strainers have raised face, flanged ends with sizes available from 2 to 12 inches. Standard housing material is either 316 stainless steel or carbon steel. Housings come equipped with a heavy duty, perforated 304 stainless steel basket. Custom perforation sizes or mesh lined baskets are also available. Models are furnished with gauge taps with plugs on both the inlet and outlet sides. Gauge taps allow for easy installation of pressure gauges to monitor differential pressure which help to determine when basket cleaning is necessary. The straight flow path and slanted design of the straining basket minimize the pressure loss.

Typical markets include waste water, pulp and paper, petrochemical, petroleum, oil and gas, transportation, marine industry and food industry.

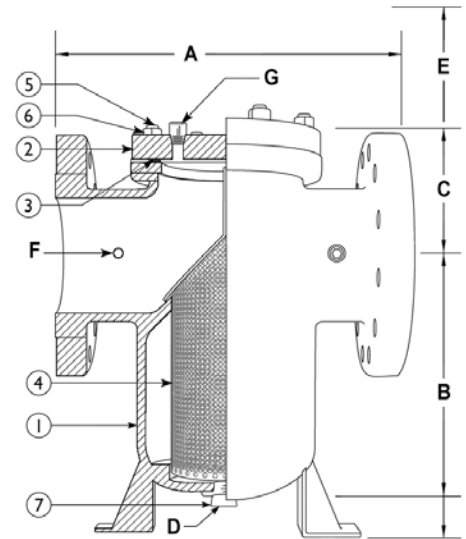
These KW series ANSI 300 strainers are ideal for many industrial and petrochemical filter applications that have higher pressure and temperature requirements.

FEATURES

- Cast carbon steel or 316 stainless steel bodies
- ANSI 300 class rated RF flanges
- Gauge taps with plugs are standard on all models
- 304 non-asbestos flat gasket seal standard, (other materials available)
- Bolted flange closure is standard, (optional cover designs are available)
- Adjustable, removable support legs are provided on sizes 4" and larger
- Tapped NPT blow-off with plug
- 304 stainless steel perforated basket included as standard (optional materials of construction available)
- Large basket area with ability to collect substantial amounts of debris



DIMENSIONAL INFORMATION



Bill of Materials KW Series ANSI 300 Class

No.	Part	Carbon Steel Housing	Stainless Steel Housing
1	Body	Carbon steel A216 Gr. WCB	Stainless steel A351 Gr. CF8M
2	Cover	Carbon steel A216 Gr. WCB	Stainless steel A351 Gr. CF8M
3	Cover Gasket	Stainless steel spiral wound	Stainless steel spiral wound
4	Straining Element	304 Stainless steel	304 Stainless steel
5	Studs	Alloy steel A193-B7	Stainless steel 18-8 series 300
6	Nuts	Carbon steel A194-2H	Stainless steel 18-8 series 300
7	Blow-off plug NPT	Carbon Steel	Stainless Steel

Dimensional Data	2	2 1/2	3	4	6	8	10	12
A Face to Face (+/- 0.12")	8.50	8.687	9.562	11.875	14.75	18.125	22.875	25.375
B Center Line to Bottom	6.125	6.25	8.0	CF	CF	15.625	16.515	24.575
C Center Line to Top	CF	5.453	6.079	CF	CF	CF	CF	11.703
D NPT Blow-Off Drain	0.5	0.75	0.75	1.0	1.25	1.50	1.50	2.0
E Clearance Needed for Screen Removal	9.0	10	10	10	20	20	26	35
F NPT Gauge Taps	0.25	0.25	0.25	0.25	0.25	0.25	0.25	0.25
G NPT Cover Vent	0.25	0.25	0.25	0.25	0.25	0.25	0.25	0.25
Assembled Weight approx. (lbs.)	40	63	63	108	200	342	542	CF
Flow Coefficient (Cv)	43	86	135	290	780	1600	3250	5200

Notes:

- CF = Contact Factory for further information.

Dimensions in inches except where noted. Due to our continuing program of product improvement, specifications are for reference only and subject to change without notice. Dimensions are approximate values and not intended for piping specifications. When required, please request a certified drawing. Connection sizes from 2 to 12 inches, flanged ends, raised face.

ADDITIONAL INFORMATION

KW Series ANSI Class 300	Working Pressures & Temperatures (non-shock)	
	KW Series Carbon Steel (A216 Gr. WCB)	KW Series 316 Stainless Steel (A351 Gr. CF8M)
W.O.G. (Water, Oil, Gas)	740 psi at 100 °F	720 psi at 100 °F
Saturated Steam	300 psi at 420 °F	300 psi at 420 °F
Maximum Liquid	400 psi at 800 °F	350 psi at 1000 °F

Inlet/Outlet Sizes	Standard Screen Selections			
	Liquid Service	Open Area	Steam	Open Area
2" to 4"	1/16 (0.0625)	41%	3/64 (0.045)	36%
5" to 12"	1/16 (0.0625)	40%	30 mesh	44.8%

TYPICAL MODEL NUMBER

K	W	S	30	F	12	F	B
Jonell Systems Basket Strainer Series	Cast Type	Body Material	Pressure Rating	Connection Type	Connection Size	Seal Material	Closure Type
K = Strainer Series	W = Simplex wedge style basket	S = 316 Stainless steel C = Carbon Steel	30 = 300 psi	F = Flanged raised face	2 = 2" L = 2 1/2" 3 = 3" 4 = 4" 6 = 6" 8 = 8" 10 = 10" 12 = 12"	F = Flat Gasket (standard) N = Buna-N V = Viton	B = Bolted Flange

